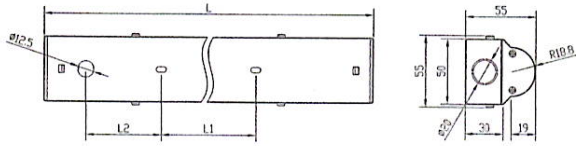


# Slim Batten Installation guide

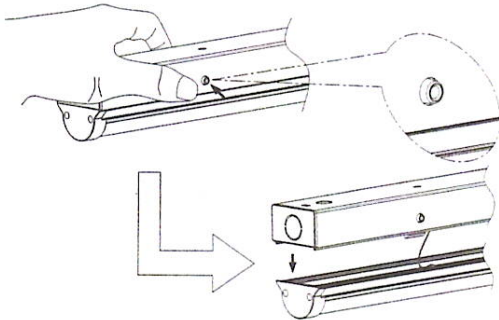
## 1. Product Size



Type	Size L	Size L1	Size L2
2FT	600mm	340mm	97.5mm
4FT	1200mm	680mm	227.5mm
5FT	1500mm	840mm	297.5mm
6FT	1800mm	1140mm	297.5mm

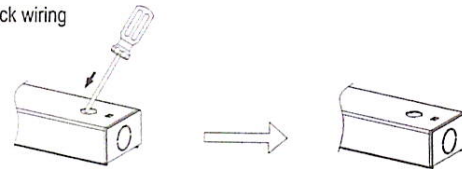
## 2. Surface mounting procedure:

1). Press the button, then open and take out the accessories bag.

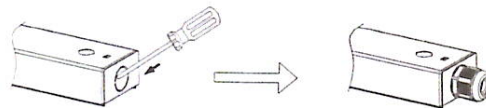


2). Pop out required entry hole, then mount the cable gland.

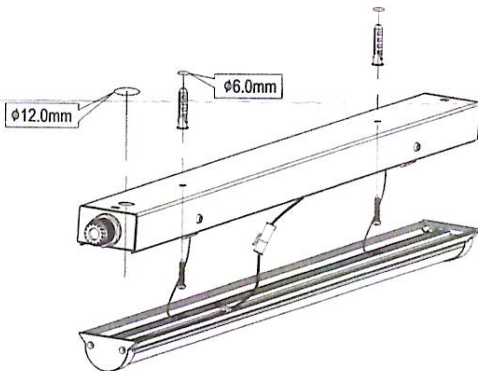
① Back wiring



② Side wiring

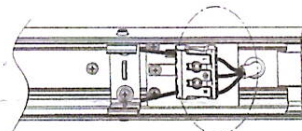


3). Fix the rear aluminium casing to the wall/ceiling.

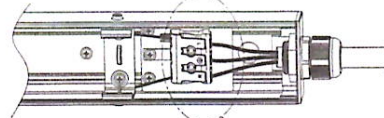


4). Connected the input wire to the terminal like below.

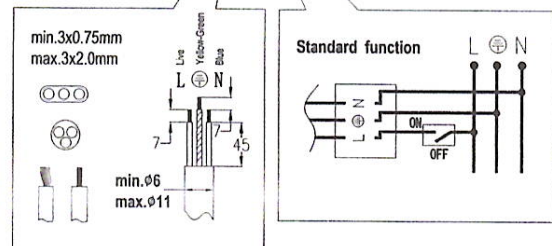
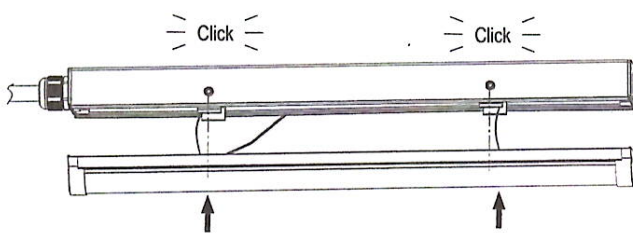
① Back wiring



② Side wiring

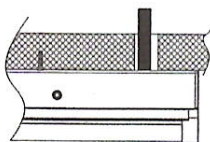


5). Assemble the lamp body on the aluminium casing.

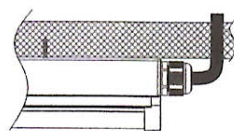


## 3. Connection type

1). Back wiring



2). Side wiring



## 4. Parts included:

