

GL-BL190 User's Manual

Thank you for choosing the GL-BL190 LED products.

Please install and use the products according to the following directions to ensure normal function and operation.

Please use stainless screw to fix holder and make sure screwed tightly.

Please do not add/remove any electrical components to/from the products or change/tamper the original electrical design without our permission.

Please do not add/remove any mechanical components to/from the products or change/tamper the original mechanical design without our permission.

If you do not follow these instructions to properly install and use the GL-BL190, you will not be eligible for warranty compensation or protection.

We do not take any responsibility for product damage resulting from improper installation or abnormal usage.



Installation Steps

The set up process should be executed by qualified (Certified) engineers.

Before installation, please turn off the power switch.

Step 1.

Use a Phillips screwdriver and two 8#-32 screws to secure the mounting plate to the junction box.

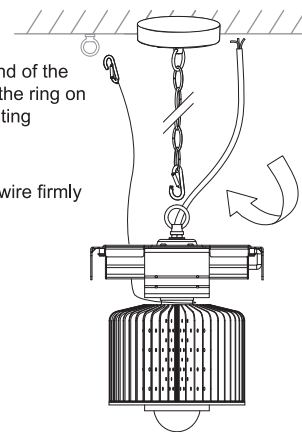
Step 2.

Lock one end of the safety chain to the ceiling mount.

Step 3.

3-1 Hook the other end of the safety chain into the ring on the top of the lighting fixture.

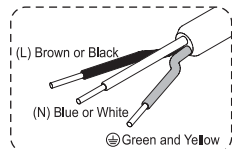
3-2 Secure the steel wire firmly to the ceiling.



Step 4.

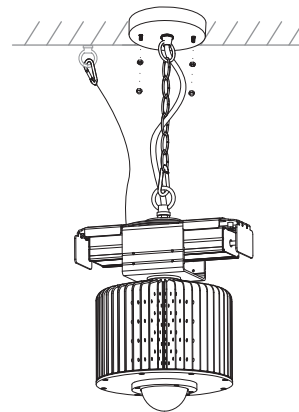
Connect the fixture's power cables to their corresponding colors of the power source and entwine together. Connect the grounding line to the grounding screw of the grounding devices or mounting plate.

⊕ Grounding line should be fixed perpetually and not allow to disconnect.



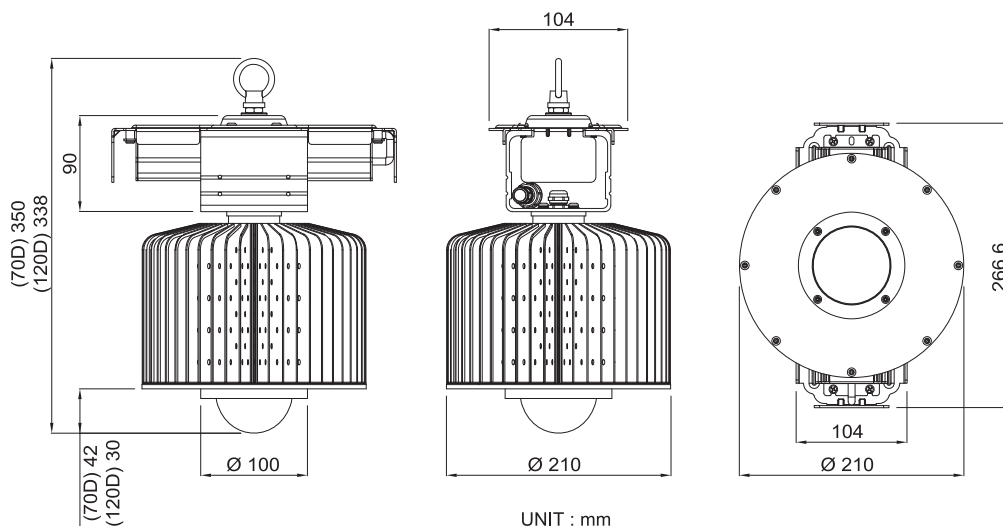
Step 5.

Secure the ceiling mount's cover by screwing the 3/16 nut tight, followed by screwing the 3/16 semi-circular nut tight.



⚠ To ensure the IP certification, please make sure the screws are firmly installed.

GL-BL190 Outlook



Notices

1. Avoiding improper use to exceed the criterion limitation of lamp operation temperature.
2. Allow lamp to cool before replacing.
3. Not suitable for dimming function.

CAUTIONS

1. If the external flexible cable or cord of this luminaire is damaged, it shall be exclusively replaced by the manufacturer or his service agent or a similar qualified person in order to avoid a hazard.
2. Prior to installation, remove the AC power.

IP66 BR



©2016 GlacialTech Inc. All rights reserved. All brand names and trademarks are the properties of their respective owners. The specifications are subject to change without notice. For further information please visit official website : www.GlacialLight.com

